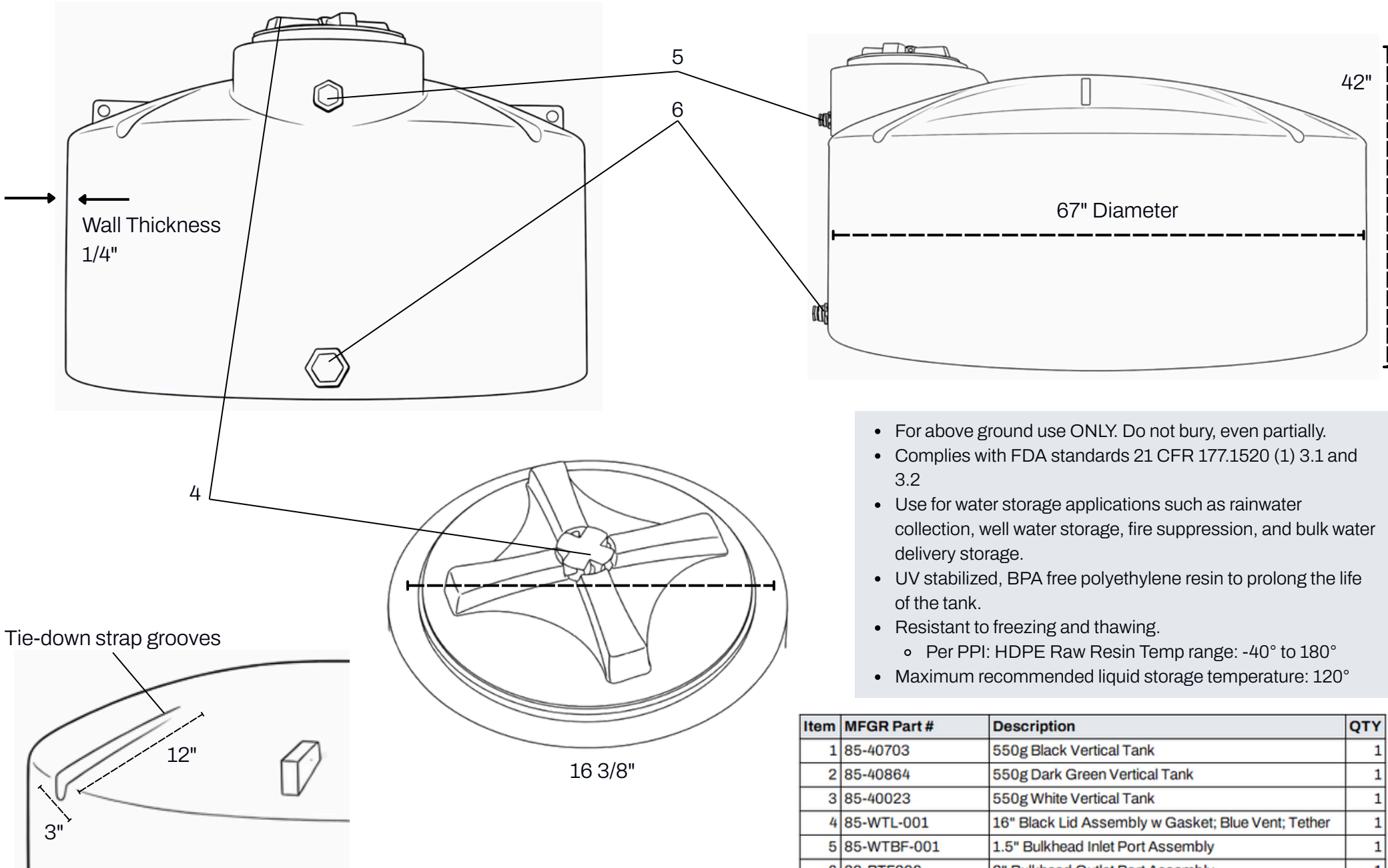




Tank Division

550 Gallon Vertical Storage Tank



- For above ground use ONLY. Do not bury, even partially.
- Complies with FDA standards 21 CFR 177.1520 (1) 3.1 and 3.2
- Use for water storage applications such as rainwater collection, well water storage, fire suppression, and bulk water delivery storage.
- UV stabilized, BPA free polyethylene resin to prolong the life of the tank.
- Resistant to freezing and thawing.
 - Per PPI: HDPE Raw Resin Temp range: -40° to 180°
- Maximum recommended liquid storage temperature: 120°

Item	MFGR Part #	Description	QTY
1	85-40703	550g Black Vertical Tank	1
2	85-40864	550g Dark Green Vertical Tank	1
3	85-40023	550g White Vertical Tank	1
4	85-WTL-001	16" Black Lid Assembly w Gasket; Blue Vent; Tether	1
5	85-WTBF-001	1.5" Bulkhead Inlet Port Assembly	1
6	89-BTF200	2" Bulkhead Outlet Port Assembly	1